

**36" ATLANTA DOUBLE  
BOWL FARMER SINK**

Cat. No  
FSGDB4536



W: 36"  
D: 20"  
H: 10"

**\*Please do NOT cut hole without  
template or actual product.**

**Interior Dimensions:**

**Each Basin:**

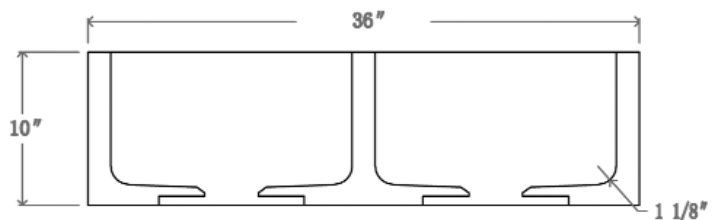
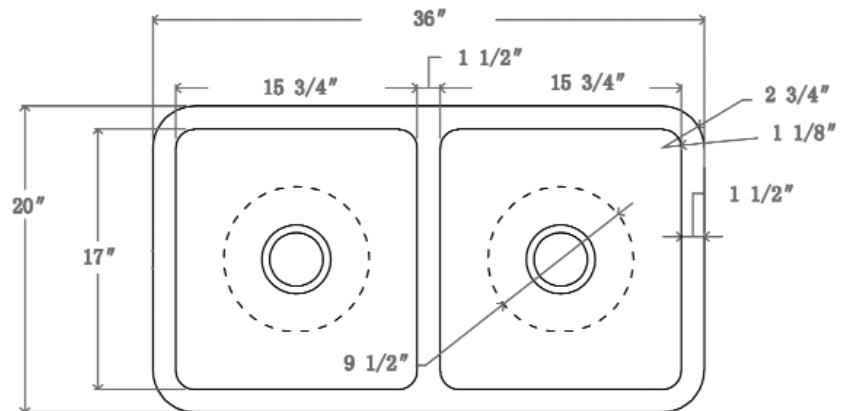
Basin Interior: 15-3/4" W x 17" D  
Basin Depth: 8"

**Features:**

- ▶ Crafted from natural granite
- ▶ Easy to clean
- ▶ Each individual stone sink is unique and varies
- ▶ Standard 3-1/2" drain opening fits most drains and disposals
- ▶ We recommend sealing with StoneTech sealer before use
- ▶ **UMSPT** supports sold separately
- ▶ No faucet holes
- ▶ Flange extension required

**Finishes:**

**GPBL** Polished Black Granite



Dimensions of fixture are nominal and may vary slightly. Dimensions and specifications subject to change without notice.