



LOCATION		DATE
PREPARED BY		QUANTITY
COMMENTS		FIXTURE TYPE
CATALOG NUMBER		

Outdoor LED Wall Pack TPWW700L50RB, TPWW1100L50RB

Features

All purpose wall pack is an energy saving long-lasting alternative to Incandescent. Ideal use for security and general lighting. Provides lighting in residential, commercial, retail and hospitality applications. Fixture mounts to a standard junction box (not included) on a wall.

Construction

Sheet metal base housing. Power supply connections must be made inside a junction box (not included).

Finish

All interior metal surface area is a white finish. Exterior is painted in oil-rubbed bronze (RB) finish.

Diffuser

Clear prismatic polycarbonate diffuser attach to housing with machine screws (included).

Electrical

Input 120 VAC, 60 Hz.
Minimum Starting Temperature -20°F.
Not compatible with dimmers.

LED

Integrated LED (DOB) module capable of producing:
9W, 900 lumens
16W, 1200 lumens
5000K (CCT). Rated for 50,000 Hrs., 80 CRI.

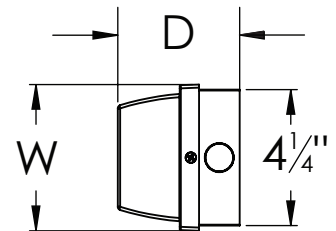
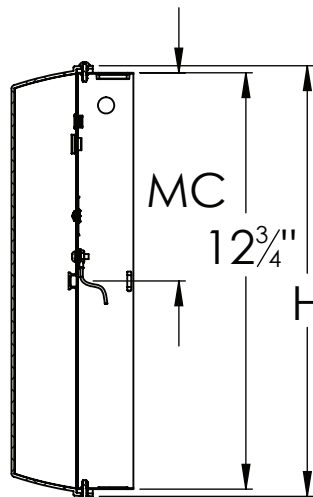
Certification

cETLus certified for outdoor damp locations.

Warranty

Limited warranty: This fixture is free from defects in materials and workmanship for a period of 5 years from date-of-purchase.

**Specifications and dimensions
subject to change without notice.**



Ordering Information:

Oil-Rubbed Bronze	LED	Source Lumens	CCT	H	W	D	MC
TPWW700L50RB	9W	900	5000K	13-1/4"	4-1/2"	3-3/4"	6-3/8"
TPWW1100L50RB	16W	1200	5000K	13-1/4"	4-1/2"	3-3/4"	6-3/8"