

ZOS Series

Models ZOS505600L30D1 & ZOS505600L30MV

LED Wall Sconce Fixture

Safety Precautions

Read all safety precautions and installation instructions carefully before installing or servicing this fixture. Failure to comply with these instructions could result in potentially fatal electric shock and/or property damage.

It is recommended that a qualified electrician perform all wiring. This fixture must be wired in accordance with all national and local electrical codes.

Do not handle any energized fixture or attempt to energize any fixture with wet hands or while standing on a wet or damp surface or in water.

Make sure the power source conforms to the requirements of the fixture. (See labels on fixture housing)

D1 fixtures are designed for use in a 120 VAC, 60Hz fused circuit. The fixture is compatible with TRIAC (forward-phase or leading-edge) dimming.

MV fixtures are designed for use in 120-277 VAC, 60Hz fused circuits. Do not use MV (Multi-Volt) fixtures on a dimming circuit.

To reduce the risk of electrical shock, and to assure proper operation, this fixture must be adequately grounded. To accomplish proper grounding, there must be a separate ground wire (green) or bare metal contact (metal conduit) between this fixture and the ground connection of your main power supply panel. The green ground screw location is clearly marked on the fixture housing.

This fixture is intended for use for general indoor lighting in dry or damp locations only.

Assembly Instructions

1. Preparing for installation-

- A. **Disconnect electrical power** before installing or servicing any part of this fixture.
- B. Remove fixture from box. Separate contents of parts bag.
- C. Loosen two set screws (4) from the sides of fixture (3) with tool from parts bag to remove gem bar (1) with driver (5) attached.

2. Wiring- all wiring must take place inside junction box.

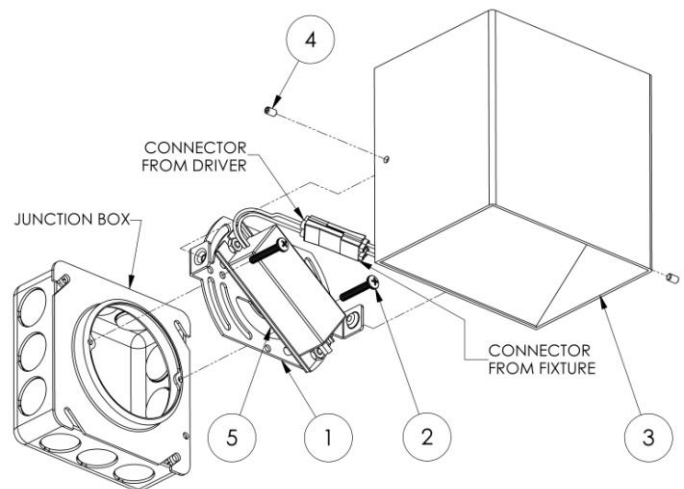
Caution: Make sure power is off at fuse or circuit breaker box. Check power wires for damage or scrapes. If power supply wires are within three inches of driver use wire suitable for at least 90C (194F). **Note:** Most dwellings built before 1985 have supply wire rated to 60C. Consult a qualified electrician before installing.

- A. This unit will not operate properly unless connected to a "grounded" electrical circuit. Electrical shock, overheating, low or no light output, and shortened lamp life can result if proper grounding is not done. Securely attach green (or green and yellow) wire from supply to ground wire from fixture (3) with a wire nut.
- B. Using wire nuts, connect white (common) supply wire to white fixture lead. Connect black (hot) supply wire to black fixture lead. Pull on each wire lead to make sure connections are secure. Make certain no bare wires are exposed outside of wire nuts.

3. Mounting-

- A. Place gem bar (1) with driver (5) attached over the junction box with the connected wires tucked inside of junction box. Secure to the junction box with two #8-32 long screws (2), making sure the gem bar is straight or level.
- B. Plug the orange connectors together, from fixture (3) to driver (5) securely.
- C. Place the fixture (3) over the gem bar (1) so it is flush against the wall. Tighten set screw (4) on both sides of fixture (3) until secure.

4. Restore power at the fuse or breaker box.



Limited Factory Warranty

AFX Inc. hereby warrants that this fixture is free from defects in materials and workmanship when installed and used under normal operating conditions for a period of 5 years from date of shipment from factory. This warranty covers all component parts and extends only to replacement of defective fixture or components; it does not cover failure due to improper installation, misuse, mishandling or damage incurred in transit.