

Model No :: **TL-20363LEDDL-PR-BRZ**
 Name :: Poseidon



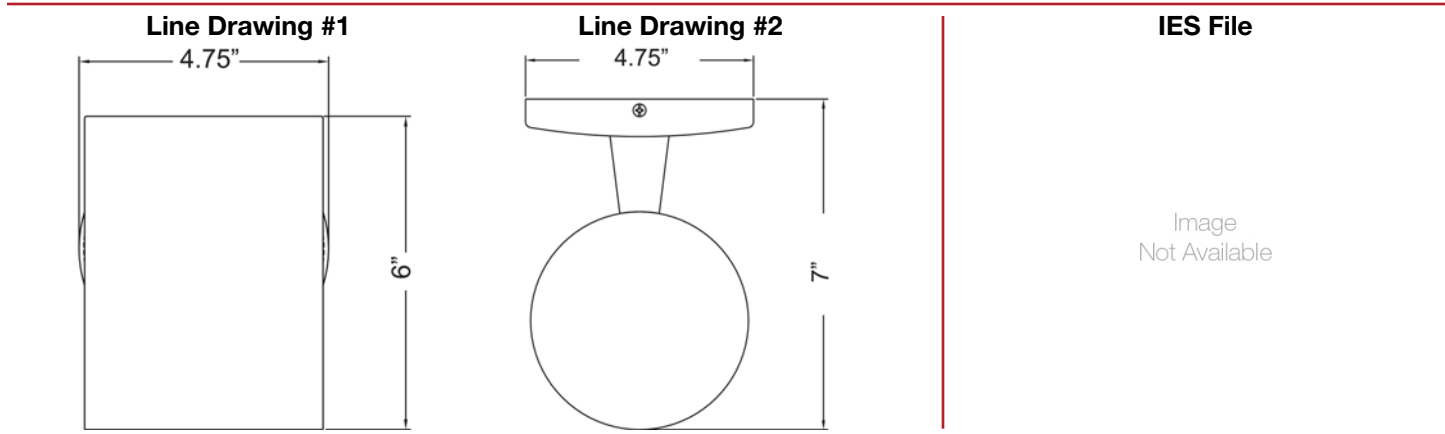
Project Name :: _____
 Location :: _____
 Type :: _____
 Quantity :: _____
 Notes :: _____

Product Information
Product ID :: 20363
UPC Code :: 641594233186
Mounting Type :: Wall
Finish :: Bronze (BRZ)
Diffuser :: 0
Alt. Finishes :: Black (BL); Bronze (BRZ); Satin (SAT)
Alt. Diffusers :: 0

Product Dimensions	
Fixture	Canopy
Length :: N/A	Length :: N/A
Width :: 4.75"	Width :: N/A
Diameter :: N/A	Diameter :: 4.75"
Extension :: 7"	Height :: 0.5"
Height :: 6"	
Overall Height :: N/A	

Technical Specifications

Qualifications	Specifications	Photometrics	Recommended Dimmers
Location Rating :: Wet	Frame Material :: Steel	CCT ::	0
Certification :: UL Listed (US/Canada)	Diffuser Material :: 0	CRI :: N/A	
IES File ::	Voltage :: 120v	Wattage :: 3w	
JA8 Compliant :: No	Lamping Type :: 0	Nominal Lumens :: 70Lm	
Energy Star :: No	Lamping Base :: E-26	Delivered Lumens :: N/A	
ADA Compliant :: No	Lamp Quantity :: 1	Additional Items :: FL Fish and Wildlife Certified	
Marine Grade :: No	Lamp Wattage :: 3 W		
Emergency Lighting :: No	Total Wattage :: 3w		
Warranty :: 1 Year Limited	Lamps Included :: Yes		
	J-Box Type :: Standard		



Toll Free 800-828-5483 • www.AccessLighting.com

14410 Myford Road, Irvine, CA 92606
 The information provided is subject to change without notice. ©2020 Access Lighting Corporation. All Rights Reserved
 Rev. 202004 Filename:: TL-20363LEDDL-PR-BRZ.pdf

