

Model No :: **63129LEDDLDP-MSS/CLR**  
 Name :: Boulder



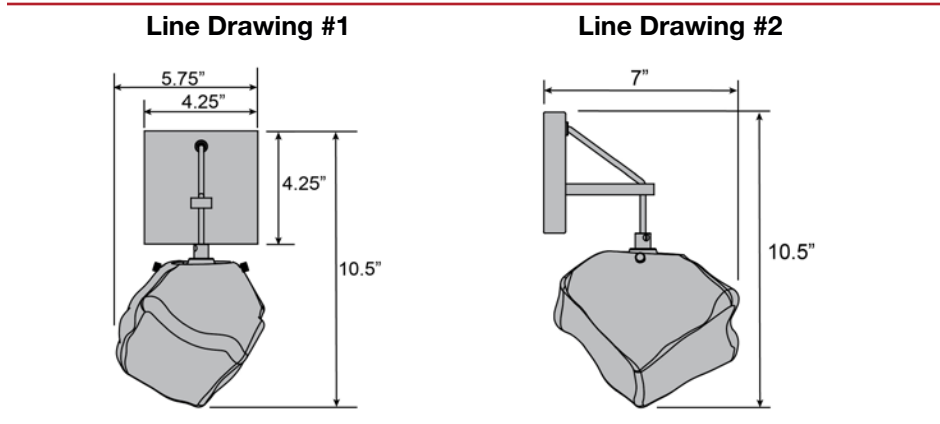
Project Name :: \_\_\_\_\_  
 Location :: \_\_\_\_\_  
 Type :: \_\_\_\_\_  
 Quantity :: \_\_\_\_\_  
 Notes :: \_\_\_\_\_

Product Information	
Product ID ::	63129
UPC Code ::	641594230260
Mounting Type ::	Wall
Finish ::	Mirrored Stainless Steel (MSS)
Diffuser ::	Clear (CLR)
Alt. Finishes ::	Mirrored Stainless Steel (MSS)
Alt. Diffusers ::	Clear (CLR)

Product Dimensions	
<b>Fixture</b>	<b>Canopy</b>
Length :: N/A	Length :: 1"
Width :: 5.75"	Width :: 4.25"
Diameter :: N/A	Diameter :: N/A
Extension :: 7"	Height :: 4.25"
Height :: 10.5"	
Overall Height :: N/A	

**Technical Specifications**

Qualifications	Specifications	Photometrics	Recommended Dimmers
Location Rating :: Damp	Frame Material :: Metal	CCT :: 3000	(ELV) LUTRON Diva DVELV-300P; (ELV) LUTRON Diva DVELV-303P; (ELV) LUTRON Skylark SELV-300P; (TRIAC) LUTRON Diva DVCL-153P
Certification :: UL Listed (US/Canada)	Diffuser Material :: Glass	CRI :: 80	
IES File ::	Voltage :: 120v	Wattage :: 4.5w	Additional Items :: 0
JA8 Compliant :: No	Lamping Type :: Replaceable LED	Nominal Lumens :: 450Lm	
Energy Star :: No	Lamping Base :: G9	Delivered Lumens :: N/A	
ADA Compliant :: No	Lamp Quantity :: 1		
Marine Grade :: No	Lamp Wattage :: 4.5 W		
Emergency Lighting :: No	Total Wattage :: 4.5w		
Warranty :: 1 Year Limited	Lamps Included :: Yes		
	J-Box Type :: Standard		



**IES File**

Image Not Available

**Toll Free 800-828-5483 • www.AccessLighting.com**

14410 Myford Road, Irvine, CA 92606  
 The information provided is subject to change without notice. ©2020 Access Lighting Corporation. All Rights Reserved  
 Rev. 202004 Filename:: 63129LEDDLDP-MSS\_CLR.pdf

