

Model No :: **52093LEDDL-BS/CLR**
 Name :: Grand



Project Name :: _____
 Location :: _____
 Type :: _____
 Quantity :: _____
 Notes :: _____

Product Information

Product ID :: 52093
 UPC Code :: 641594223408
 Mounting Type :: Ceiling
 Finish :: Brushed Steel (BS)
 Diffuser :: Clear (CLR)
 Alt. Finishes :: Brushed Brass (BB); Brushed Steel (BS)
 Alt. Diffusers :: Clear (CLR)

Product Dimensions

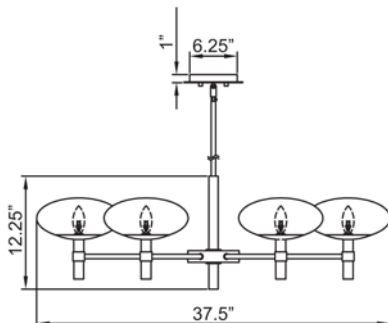
Fixture	Canopy
Length :: N/A	Length :: N/A
Width :: N/A	Width :: N/A
Diameter :: 37.5"	Diameter :: 6.25"
Extension :: N/A	Height :: 1"
Height :: 12.25"	
Overall Height :: 14-57"	



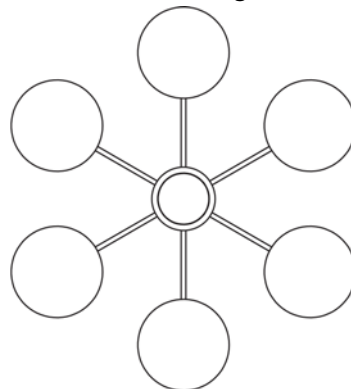
Technical Specifications

Qualifications	Specifications	Photometrics	Recommended Dimmers
Location Rating :: Dry	Frame Material :: Metal	CCT :: 2700	(ELV) LUTRON Diva DVELV-300P; (ELV) LUTRON Diva DVELV-303P; (ELV) LUTRON Skylark SELV-300P; (TRIAC) LEVITON Trimatron 6684
Certification :: UL Listed (US/Canada)	Diffuser Material :: Glass	CRI :: 90	
IES File ::	Voltage :: 120v	Wattage :: 24w	
JA8 Compliant :: Yes	Lamping Type :: Replaceable LED	Nominal Lumens :: 1800Lm	
Energy Star :: No	Lamping Base :: E-12	Delivered Lumens :: N/A	
ADA Compliant :: No	Lamp Quantity :: 6	Additional Items :: 0	
Marine Grade :: No	Lamp Wattage :: 4 W		
Emergency Lighting :: No	Total Wattage :: 24w		
Warranty :: 1 Year Limited	Lamps Included :: Yes		
	J-Box Type :: Standard		

Line Drawing #1



Line Drawing #2



IES File

Image Not Available

Toll Free 800-828-5483 • www.AccessLighting.com

14410 Myford Road, Irvine, CA 92606

The information provided is subject to change without notice. ©2020 Access Lighting Corporation. All Rights Reserved
 Rev. 202004 Filename:: 52093LEDDL-BS_CLR.pdf

