

Model No :: **20363LEDDL-PR-BRZ**  
 Name :: Poseidon



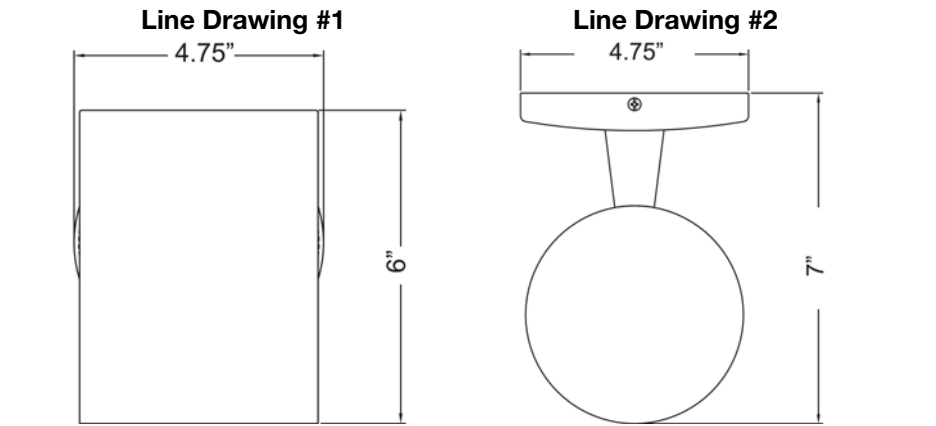
Project Name :: \_\_\_\_\_  
 Location :: \_\_\_\_\_  
 Type :: \_\_\_\_\_  
 Quantity :: \_\_\_\_\_  
 Notes :: \_\_\_\_\_

| Product Information |                                       |
|---------------------|---------------------------------------|
| Product ID ::       | 20363                                 |
| UPC Code ::         | 641594216462                          |
| Mounting Type ::    | Wall                                  |
| Finish ::           | Bronze (BRZ)                          |
| Diffuser ::         | 0                                     |
| Alt. Finishes ::    | Black (BL); Bronze (BRZ); Satin (SAT) |
| Alt. Diffusers ::   | 0                                     |

| Product Dimensions |       |               |       |
|--------------------|-------|---------------|-------|
| <b>Fixture</b>     |       | <b>Canopy</b> |       |
| Length ::          | N/A   | Length ::     | N/A   |
| Width ::           | 4.75" | Width ::      | N/A   |
| Diameter ::        | N/A   | Diameter ::   | 4.75" |
| Extension ::       | 7"    | Height ::     | 0.5"  |
| Height ::          | 6"    |               |       |
| Overall Height ::  | N/A   |               |       |

**Technical Specifications**

| Qualifications                         | Specifications                  | Photometrics                            | Recommended Dimmers  |
|--|---------------------------------|---|--|
| Location Rating :: Wet                 | Frame Material :: Steel         | CCT :: 3000                             | (ELV) LUTRON Skylark SELV-300P; (MLV) COOPER Aspire 9530SW; (TRIAC) LEGRAND Titan CD703-PW |
| Certification :: UL Listed (US/Canada) | Diffuser Material :: 0          | CRI :: 90                               |  |
| IES File ::                            | Voltage :: 120v                 | Wattage :: 10w                          |  |
| JA8 Compliant :: No                    | Lamping Type :: Replaceable LED | Nominal Lumens :: 800Lm                 |  |
| Energy Star :: No                      | Lamping Base :: E-26            | Delivered Lumens :: N/A                 |  |
| ADA Compliant :: No                    | Lamp Quantity :: 1              |   |  |
| Marine Grade :: No                     | Lamp Wattage :: 10 W            | Additional Items :: Not open at the top |  |
| Emergency Lighting :: No               | Total Wattage :: 10w            |   |  |
| Warranty :: 1 Year Limited             | Lamps Included :: Yes           |   |  |
|  | J-Box Type :: Standard          |   |  |



**IES File**

Image Not Available

**Toll Free 800-828-5483 • www.AccessLighting.com**

14410 Myford Road, Irvine, CA 92606  
 The information provided is subject to change without notice. ©2020 Access Lighting Corporation. All Rights Reserved  
 Rev. 202004    Filename: 20363LEDDL-PR-BRZ.pdf

